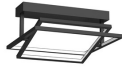


# MONDRIAN SF16316

SEMI FLUSH

PROJECT



SF16316-BN  
Brushed Nickel



SF16316-BK  
Black

## SPECIFICATION DETAILS

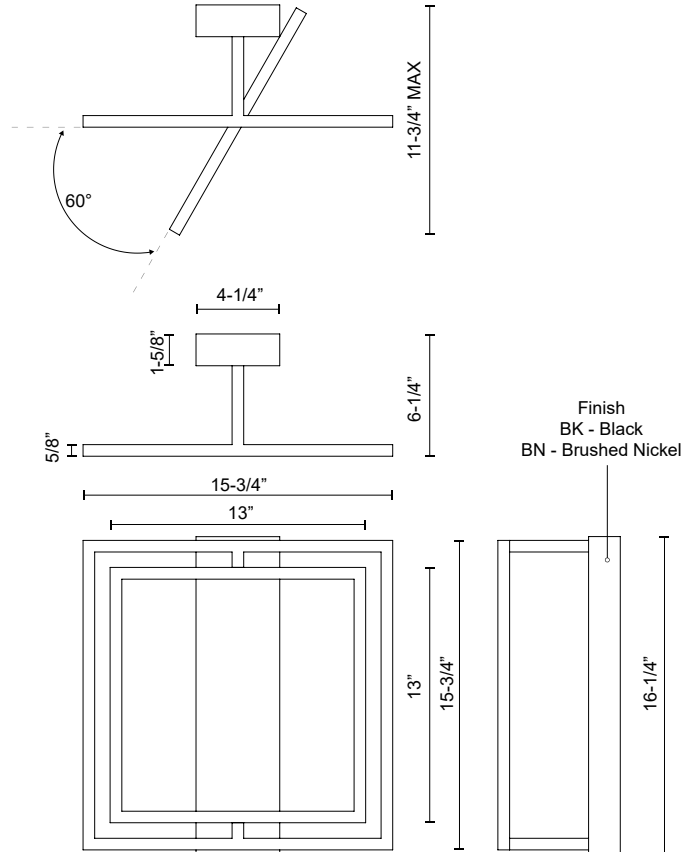
<b>Fixture Dimensions</b>	L15-3/4" x W15-3/4" x H6-1/4"
<b>Light Source</b>	LED with DC Driver
<b>Wattage</b>	47W
<b>Total Lumens</b>	3995lm
<b>Delivered Lumens</b>	BK-1037lm; BN-1812lm;
<b>Voltage</b>	120V
<b>Color Temperature</b>	3000K
<b>CRI (Ra)</b>	90CRI
<b>Optional Color Temps</b>	2700K - 5000K Available, Minimum Order Quantities Apply
<b>LED Rated Life</b>	50,000 hours
<b>Dimming</b>	100% - 10%, TRIAC or ELV Dimmer (Not Included)
<b>Diffuser Details</b>	Frosted acrylic diffuser
<b>Location</b>	Dry
<b>Mounting Style</b>	All Orientation; Ceiling and Wall;
<b>Canopy Dimensions</b>	L16-1/4" x W4-1/4" x H1-5/8"
<b>Paint Finish</b>	BK02; BN02;

\* For custom options, consult factory for details.

\* For warranty information, please visit [www.kuzcolighting.com/warranty](http://www.kuzcolighting.com/warranty)

## DESCRIPTION

Mondrian series is composed from numerous rectilinear frames of light. The illuminated borders surrounding an open central void create an illusion of levitation. The airy design and negative space allow the fixture to visually blend into the environment. High-quality finish and simple forms coalesce in the elegant new product.



# KUZCO

CANADA: 19054 28TH AVENUE - SURREY, BC V3Z 6M3

USA: 3035 E. LONE MOUNTAIN ROAD - LAS VEGAS, NV 89081

[WWW.KUZCOLIGHTING.COM](http://WWW.KUZCOLIGHTING.COM)

© 2021 KUZCO LIGHTING. ALL RIGHTS RESERVED.

## COMMENT

